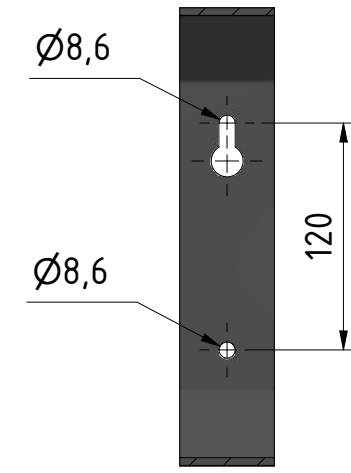
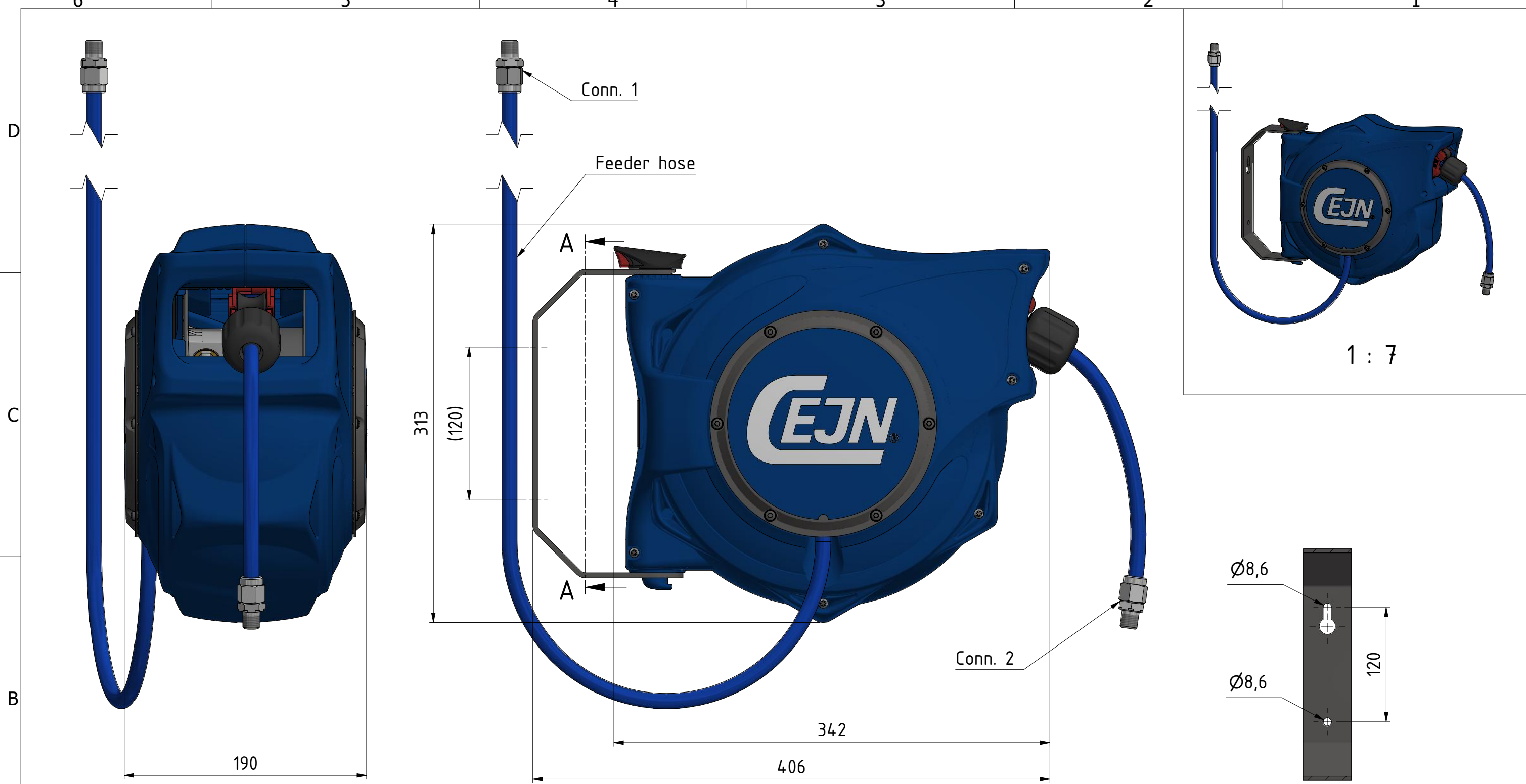


This document must not be copied, either completely or in part, without permission. Any infringement will have legal consequences ©



Product Data - Small Reels Air

Art.no.	Hose length	Dim. (IDxOD)	Conn. 1	Conn. 2	WP bar (psi)	Weight (kg)
19 911 2020	7	8x12	R 1/4"	R 1/4"	16 (232)	4,7
19 911 2021	7	8x12	1/4" NPT	1/4" NPT	16 (232)	4,7
19 911 2022	10	8x12	R 1/4"	R 1/4"	16 (232)	4,9
19 911 2023	10	8x12	1/4" NPT	1/4" NPT	16 (232)	4,9
19 911 2040	5	11x16	R 1/2"	R 1/2"	12 (232)	4,9
19 911 2041	5	11x16	1/2" NPT	1/2" NPT	12 (232)	4,9
19 911 2042	5	11x16	320-nipple	eSafe 320	12 (232)	4,9
19 911 2043	5	11x16	315-nipple	eSafe 315	12 (232)	4,9
19 911 2044	5	11x16	410-nipple	eSafe 410	12 (232)	4,9
19 911 2080	10	8x12	300-nipple	eSafe 300	16 (232)	4,9
19 911 2081	10	8x12	310-nipple	eSafe 310	16 (232)	4,9
19 911 2082	10	8x12	320-nipple	eSafe 320	16 (232)	4,9
19 911 2083	10	8x12	315-nipple	eSafe 315	16 (232)	4,9

Technical Data:

Feeder hose length: 1,5m
 Hose material: Braided PUR (ester based)
 Connections: Male thread
 Temperature range: -20°C - +60°C (-4°F - +140°F)
 Sealing material: NBR



Scale 1 : 3	Drawn CABJOOL	Checked CABFA	Appr. CABOG	ECO 11771	Date 2018-03-23
Drawing No. Small Reels - Air 509119900			Issue AA	Sheet 1 / (1)	

