



GB

# SafetyReel hose reel

Guide



Find instruction videos, guides, and more information about the SafetyReel at [www.cejn.com](http://www.cejn.com).



CEJN AB  
Rattvägen 1  
SE-549 37 Skövde, Sweden  
[www.cejn.com](http://www.cejn.com)

## 1. Safety



### WARNING!

The products are intended for use by knowledgeable persons having the technical skill necessary to evaluate their suitability for specific applications. Read all safety instructions carefully before attempting to install, operate, or maintain this product. Only qualified personnel should undertake the installation, commissioning and maintenance of this product. Before carrying out maintenance or repair work, always disconnect the hose reel from the air source. If the reel must be disassembled, release spring tension before further dismantling.

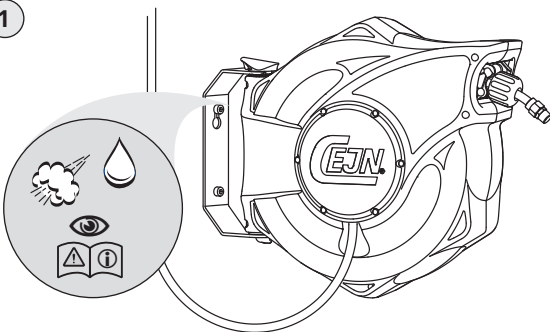


## 2. Installation

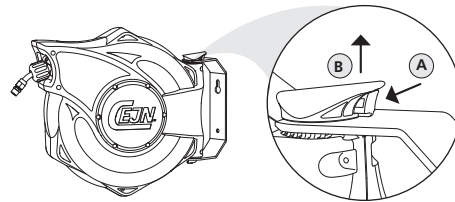
Mount the hose reel bracket on smooth surfaces. It is important to ensure that the wall has sufficient load-bearing capacity to withstand the weight of the product and any loads during operation. Installation must be carried out in accordance with current building codes and with fasteners adapted to the wall material and structure.

### 2.1 Assembly

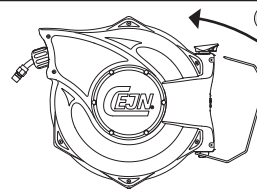
1



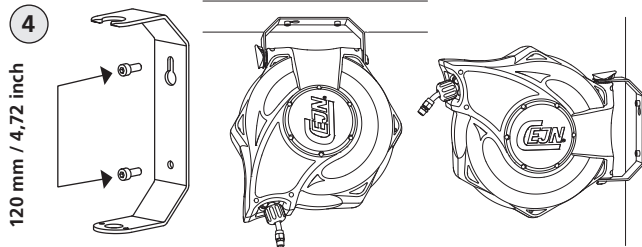
2



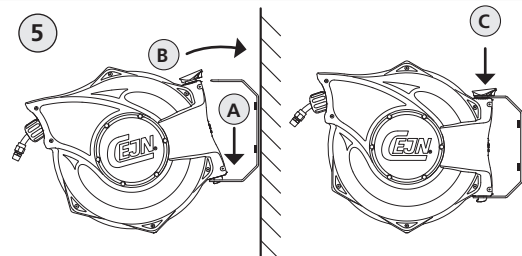
3



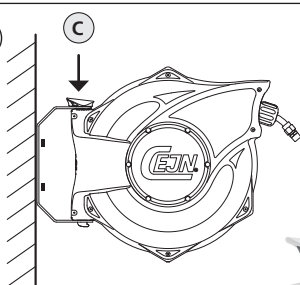
4



5



6

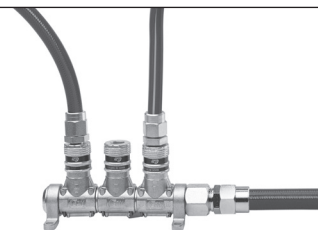


### Attention!

Be sure wall bracket is securely fastened. For instruction videos about the SafetyReel visit [www.cejn.com](http://www.cejn.com).



7



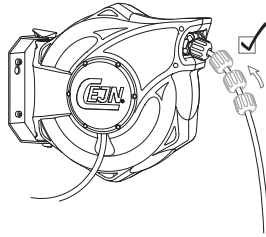
Connect the reel to the air/fluid source at the correct working pressure.

Wear eye and hearing protection when using the hose reel. Protect your ears from hearing damage and your eyes from flying debris.



### 2.2 Hose length

The stop ball is allowed to be moved inwards.



### 2.3 Stop ball detect (for SafetyReel FS)

Make sure the hose and inlay is clean and dry before assembly.



## 3. Operation



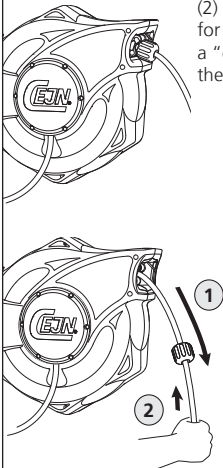
**WARNING – Tripping Hazard** Ensure the hose does not create a tripping hazard when extended. Retract the hose after use.

**CAUTION – Equipment Damage** Clean the hose before retraction to prevent contamination and malfunction.

**NOTICE – Visibility** The user is responsible for that the work area is well-lit during operation.

### 3.1 Pulling out the hose

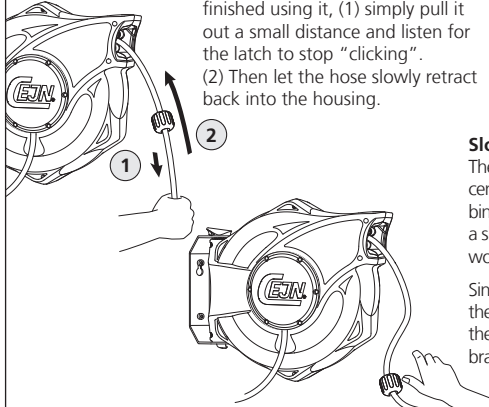
- (1) Pull out the hose to the required length.
- (2) To lock the hose, listen for the latch to engage with a “click” while slowly pulling the hose out a small distance.



**Risk of injury!**  
Keep hands away from moving parts.  
Do not hold the reel while pulling out the hose to minimise risk of pinch hazard.

### 3.2 Retracting the hose

- To unlock the hose when you have finished using it, (1) simply pull it out a small distance and listen for the latch to stop “clicking”.
- (2) Then let the hose slowly retract back into the housing.



**Risk of injury!**  
Keep hands away from moving parts.  
Do not hold the reel while retracting the hose to minimise risk of pinch hazard.

#### Slow retraction

The SafetyReel is equipped with a sturdy centrifugal breaking of the drum, combined with a strong spring force, giving a slow and firm retraction that keeps the working environment safe.

Since the brake contains wear parts, check the SafetyReel's brake function regularly. If the braking effect is reduced, replace worn brake shoes with original spare parts.

### 3.3 The hose cannot be fully retracted

If the hose gets jammed when retracted, simply pull out the hose to its full length and let it retract freely without assistance. If you experience further problems or other malfunctions, contact your local distributor for guidance. Find instruction videos, guides, and more information about the SafetyReel at [www.cejn.com](http://www.cejn.com).

## Compressed air

Material hose:	PUR (ester)			PUR - Anti-spark	EPDM rubber - Antistatic
ID hose:	6,5mm , 8mm , 9,5mm	11mm	13mm	9,5mm	8mm, 10mm
Max. Working pressure:	16 bar (232 PSI)	12 bar (174 PSI)	10 bar	12 bar	12 bar
Temperature range:	-20°C -> 60°C (-4°F -> 140°F)	-20°C -> 60°C (-4°F -> 140°F)	-20°C -> 60°C (-4°F -> 140°F)	-20°C -> 60°C (-4°F -> 140°F)	-20°C -> 60°C (-4°F -> 140°F)

## Breathing air

Material hose:	PVC
ID hose:	10mm
Max. Working pressure:	15 bar
Temperature range:	-15°C -> 60°C (5°F->140°F)

## Water

Material hose:	PUR (ether)
ID hose:	9,5mm, 11mm
Max. Working pressure:	9 bar
Temperature range:	+5°C -> 60°C (41°F->140°F)

## 5. Maintenance



- Carry out regular checks that there are no problems with the hose, hose guiding and external parts.
- For detailed guidance of how to replace the hose, please see instruction videos about the SafetyReel at [www.cejn.com](http://www.cejn.com).
- Any damage or defects must be repaired immediately.
- Repairs and maintenance must be carried out by a qualified technician only.
- Only original spare parts must be used!

## 6. Disposal/Recycling



**IMPORTANT!**  
Help us to take care of the environment. When disposing of the hose reel, please do so in accordance with local environmental regulations.

## 7. Warranty

CEJN AB provides a two (2) year warranty from the date of manufacture. Contact your retailer concerning warranty enquiries.

## 8. Spare parts

For safety reasons, only original spare parts must be used. For a complete overview of spare parts, see more information about the SafetyReel at [www.cejn.com](http://www.cejn.com).

EC Declaration of Conformity – We declare that the products identified below: Hose Reel Type 911 20, 21, 22, 24, 25XX, 70, 71, 72XX conform to: 2006/42/EG (EN ISO 12100:2010) and UK Legislation: 2012 (S.I. 2012/3032), (S.I. 2008/1597).

*Marcus Allerbjör*  
Marcus Allerbjör  
CEJN AB



Find instruction videos, guides, and more information about the SafetyReel at [www.cejn.com](http://www.cejn.com).