



GB

SafetyReel G2 hose reel

Guide



Find instruction videos, guides, and more information about the SafetyReel G2 at www.cejn.com.

CEJN AB
Rattvägen 1
SE-549 37 Skövde, Sweden
www.cejn.com

1. Safety IMPORTANT!



- The products are intended for use by knowledgeable persons having the technical skill necessary to evaluate their suitability for specific applications.
- Read all safety instructions carefully before attempting to install, operate or maintain this product.
- Only qualified personnel should undertake the installation, commissioning, and maintenance of this product.
- Before carrying out maintenance or repair work, always disconnect the hose reels from the media.
- Close the feed of fluids at the end of the workday to prevent damages during non-working hours.
- Ensure that the pressure does not exceed the maximum working pressure of the lowest rated system component.
- CEJN AB does not take responsibility for damage that occurs if the reel had been modified or used in a way that was not intended. Nor for damages due to incorrect installation or maintenance.
- NOTE! The internal spring mechanism is held under tension. Danger if released!

2. Product description

The SafetyReel G2 is an automatic retractable hose reel equipped with a viscous brake and a strong spring force, giving a slow and firm retraction of the hose. This helps keep the working environment safe. The air/ fluid model can be used in both compressed air applications as well as distributing fluids.

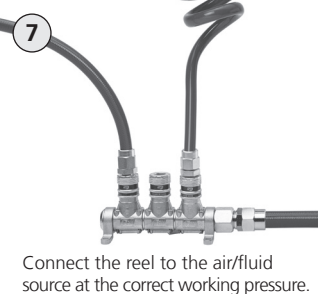
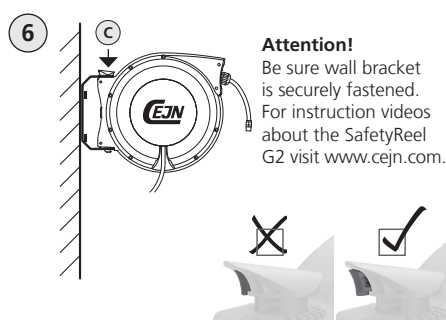
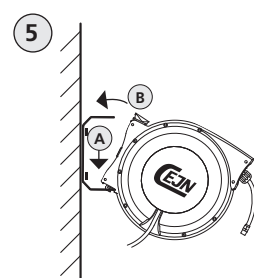
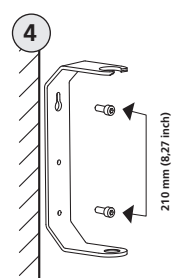
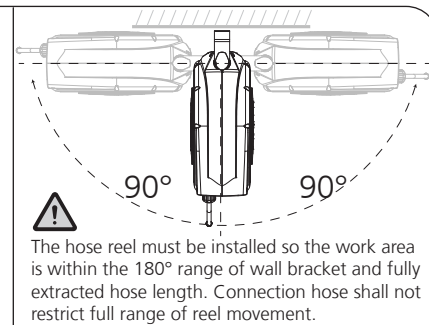
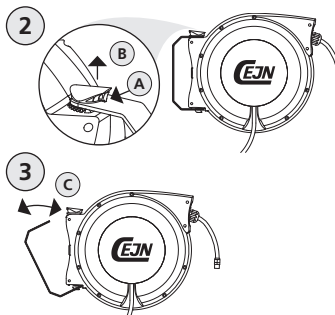
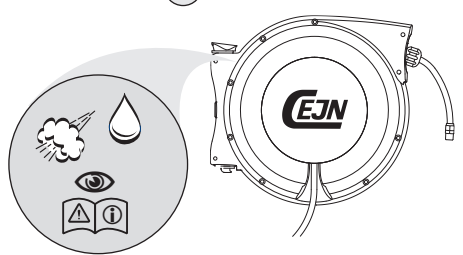
Wear eye and hearing protection when using the hose reel. Protect your ears from hearing damage and your eyes from flying debris.



3. Installation

Mount the hose reel bracket on smooth surfaces. It is important to ensure that the wall has sufficient load-bearing capacity to withstand the weight of the product and any loads during operation. Installation must be carried out in accordance with current building codes and with fasteners adapted to the wall material and structure.

3.1 Assembly 1



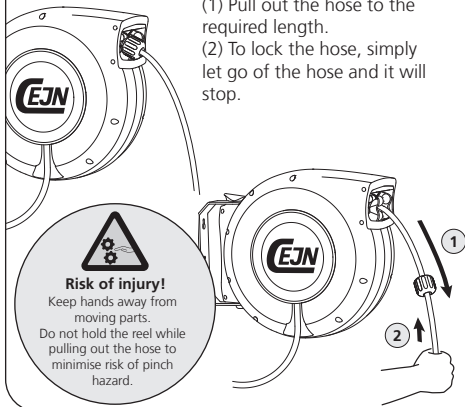
Connect the reel to the air/fluid source at the correct working pressure.

4. Operation



WARNING – Tripping Hazard Ensure the hose does not create a tripping hazard when extended. Retract the hose after use.
CAUTION – Equipment Damage Clean the hose before retraction to prevent contamination and malfunction.
NOTICE – Visibility The user is responsible for that the work area is well-lit during operation.

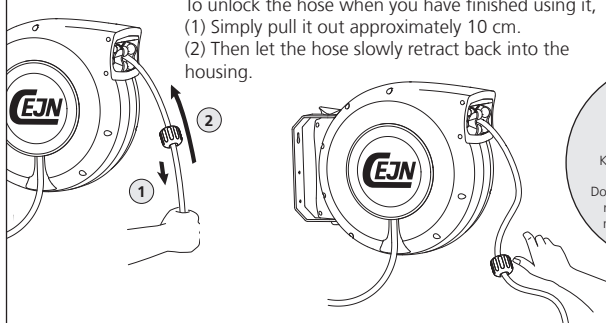
4.1 Pulling out the hose



(1) Pull out the hose to the required length.
 (2) To lock the hose, simply let go of the hose and it will stop.

Risk of injury!
 Keep hands away from moving parts.
 Do not hold the reel while pulling out the hose to minimise risk of pinch hazard.

4.2 Retracting the hose



To unlock the hose when you have finished using it,
 (1) Simply pull it out approximately 10 cm.
 (2) Then let the hose slowly retract back into the housing.

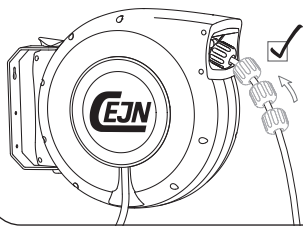
When using the hose reel with fluids, please walk the hose back to the reel to ensure that the hose rewinds properly.

Risk of injury!
 Keep hands away from moving parts.
 Do not hold the reel while retracting the hose to minimise risk of pinch hazard.

5. Product features

5.1 Hose length

The stop ball is allowed to be moved inwards.

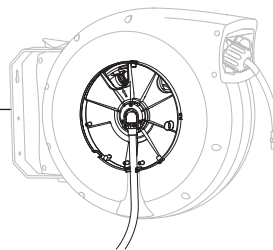


5.2 Replacement of the hose

The reel is designed to allow easy replacement of both the feeder hose and the main hose. Make sure to only use original CEJN spare parts.

5.3 Deactivation of the latch

It is possible to deactivate the latch if needed.



Find instruction videos about the SafetyReel G2 at www.cejn.com.



6. Trouble shooting

6.1 The hose cannot be fully retracted

If the hose gets jammed when retracted, simply pull out the hose to its full length and let it retract freely without assistance. If you experience further problems or other malfunctions, contact your local distributor for guidance.

6.2 The hose retracts to slow

If the hose retracts very slowly the spring force can be adjusted.

7. Technical data

Hose reel used with compressed air

Max. working pressure: 16 bar (232 PSI) at 20°C
Max. working pressure: 12 bar (174 PSI) at 60°C
Temperature range: -10°C -> 60°C (14°F -> 140°F)

Hose reel used with fluids

Max. working pressure: 16 bar (232 PSI)
Max. working pressure: 12 bar (174 PSI) at 60°C
Temperature range: 5°C -> 60°C (41°F -> 140°F)

8. Maintenance

- Close the feed of fluid before carrying out any maintenance.
- Carry out regular checks that there are no problems with the hose or external parts.
- Any damage or defects must be repaired immediately.
- Only original spare parts must be used.

IMPORTANT!



Any maintenance operation shall be carried out by a suitably trained staff.

9. Disposal/Recycling



IMPORTANT!

Help us to take care of the environment. When disposing of the hose reel, please do so in accordance with local environmental regulations.

10. Warranty

CEJN AB provides an two (2) year warranty from the date of manufacture. Contact your retailer concerning warranty enquiries.

11. Spare parts

For safety reasons, only original spare parts must be used. SafetyReel G2 accessories and spare parts lists are available at www.cejn.com.

EC Declaration of Conformity – We declare that the products identified: Hose Reel Type 19 911 26XX conform to: 2006/42/EG (EN ISO 12100:2010). UK Legislation: 2012 (S.I. 2012/3032), (S.I. 2008/1597).

Marcus Allerbjerg
 Marcus Allerbjerg
 CEJN AB



Find instruction videos, guides, and more information about the SafetyReel G2 at www.cejn.com.