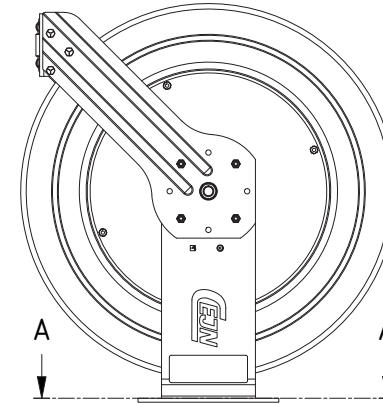
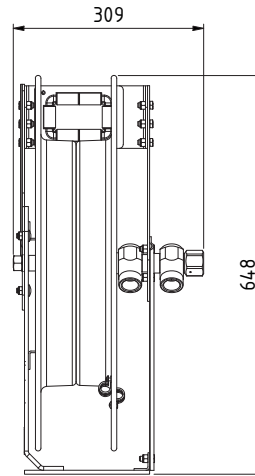
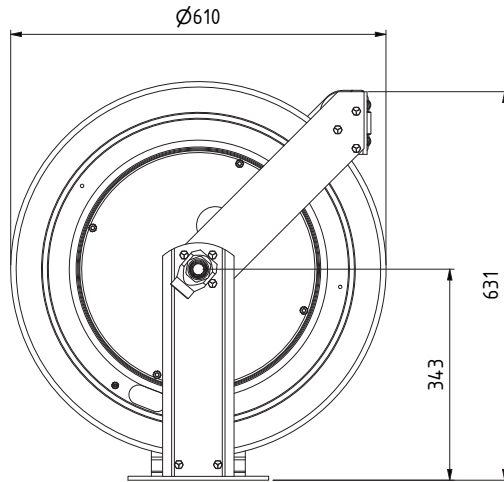
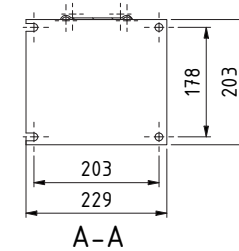




The Quick Connect
Solution Provider



Hose Part No.	Max length on reel	Max working pressure	DN(mm)	Layers	ID x OD	Min bend radius
199511141	42 m / 139 Feet	110 MPa	6	2	6.4 x 11.6 mm	110 mm
199511161	30 m / 100 Feet	110 MPa	6	4	6.4 x 13.4 mm	70 mm
199510601	30 m / 100 Feet	70 MPa	6	2	6.5 x 12.5 mm	70 mm
199510701	40 m / 132 Feet	70 MPa	6	4	6.4 x 12.5 mm	70 mm
199510705	43 m / 142 Feet	70 MPa	6	2	6.4 x 13.8 mm	100 mm
199510721	30 m / 100 Feet	72 MPa	6	4	6.4 x 12.9 mm	25 mm
199511001	27 m / 90 Feet	100 MPa	6	4	6.4 x 13.4 mm	80 mm
199511511	41 m / 135 Feet	150 MPa	5	2	4.9 x 9.5 mm	95 mm
199511801	30 m / 100 Feet	180 MPa	5	4	4.8 x 11.6 mm	130 mm



TECHNICAL DATA	
Connection:	9/16" HP female
Thread Standard:	1 1/8"-12 UNF thread
Seal:	60° sealing cone
Swivel minimum burst pressure:	470 MPa
Swivel life span:	44000 pulses at 180 MPa

3	1	Hose stop ball	199127001
2	1	HP Swivel hose reel	199501740
1	1	Hose reel - low tension version	199124202

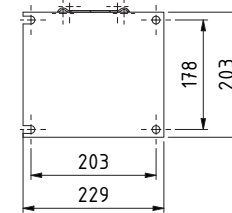
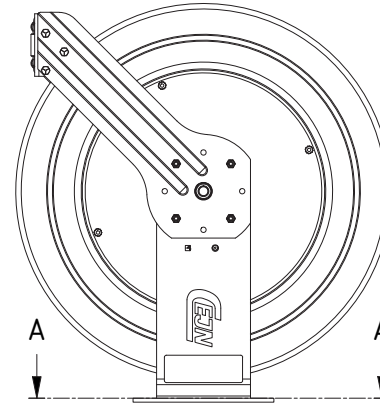
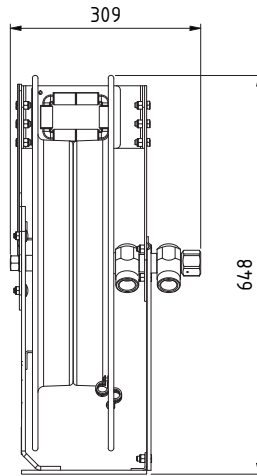
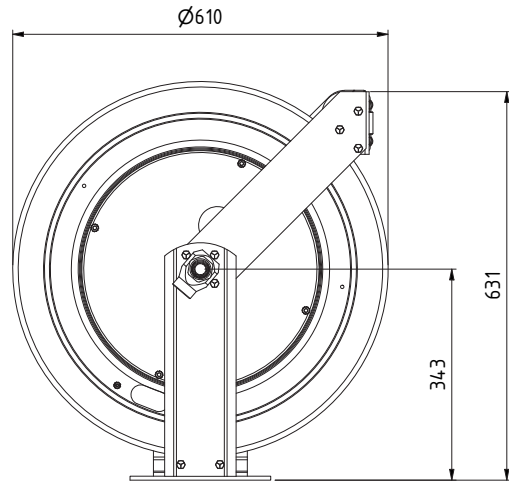
Item Qty	Description			Part Number						
Scale	1:7	Drawn	CABAO	Checked	JE	Appr.	JW	ECO	Date	2021-08-25
Assembly Drawing									Drawing No.	509124212
									Issue	AA
									Sheet	1/(1)



<https://www.cejn.com/products/high-pressure-hydraulics/uhp-hydraulic-reel/#>



The Quick Connect
Solution Provider



A-A



Hose Part No.	Max length on reel	Max working pressure	DN(mm)	Layers	ID x OD	Min bend radius
199511161	38 m / 125 Feet	110 MPa	6	4	6.4 x 13.4 mm	70 mm
199510601	36 m / 120 Feet	70 MPa	6	2	6.5 x 12.5 mm	70 mm
199510721	35 m / 115 Feet	72 MPa	6	4	6.4 x 12.9 mm	25 mm
199511001	36 m / 120 Feet	100 MPa	6	4	6.4 x 13.4 mm	80 mm
199511801	36 m / 120 Feet	180 MPa	5	4	4.8 x 11.6 mm	130 mm

TECHNICAL DATA	
Connection:	9/16" HP female
Thread Standard:	1 1/8"-12 UNF thread
Seal:	60° sealing cone
Swivel minimum burst pressure:	470 MPa
Swivel life span:	44000 pulses at 180 MPa

Item Qty	Description	Part Number
3	Hose stop ball	199127001
2	1 HP Swivel hose reel	199501740
1	1 Hose reel - high tension version	199124203

Scale	Drawn	Checked	Appr.	Date
1:7	CABAO	JE	JW	2021-08-25
Assembly Drawing				1 / (1)



<https://www.cejn.com/products/high-pressure-hydraulics/uhp-hydraulic-reel/#>